



## NB IoT – Cat-M1 Operated IP68 Low Power Level Transmitter for Liquid Media

- Compatible with most standard communication Protocols (UDP, LwM2M, MQTT, NIDD, etc.)
- Wide range of industrial applications
- High accuracy
- Designed to meet outdoor applications
- Long-term durable performance in harsh environment
- Ultra-low power
- Suitable for liquids compatible with SS and Hastelloy



## TECHNICAL SPECIFICATION

### Sensor

• Range:	1, 2, 5, 10 (or other ranges up to 200)	m H2O
• Accuracy: (combined linearity, hysteresis, repeatability)	±0.25 (typ.)	%Span
• Resolution:	±0.01	%Span
• Pressure reference:	Sealed Gauge (with Built-in Atmospheric Pressure Sensor)	
• Temperature Coefficient of Zero:	≤±0.03	%FS/°C
• Temperature Coefficient of Span:	≤±0.03	%FS/°C
• Long term stability (1 year):	≤ 0.2	%Span
• Overload Protection:	150	%FS
• Load Cycles (Zero to Full Scale):	10+	Million
• Storage / Operation Temperature:	-20 ~ +85	°C
• Compensated temperature:	0 ~ 60	°C

### Power

• Power Supply:	Built-in Replaceable Lithium Battery, External Power (option)	
• Rated Voltage	3.6	V
• Battery Lifetime:	50,000+ Readings and 10,000+ Transmission (With UDP protocol/ More than 10 years for most applications)	

### Physical Specification

• Materials:	O-ring: Viton, Body: SS304, Diaphragm: SS316, Oil: Silicon, Enclosure: POM	
• Process Connection:	No Process Connection (or on request)	
• Weight:	~1,300 (for 3m range)	g
• Protection Rate:	IP68 and UV protected enclosure and sensor head	

### Communication

• SIM Card Type	4FF Nano-SIM, from any Network Provider
• Firmware Update:	Over The Air, Locally via wireless connectivity
• Sampling Period:	Configurable via downlink (default 4 hours)
• Power Consumption:	Power Saving: < 5uA, Transmission: < 220mA

• Communication Standards	Cat-NB1 (NB-IoT) Cat-M1 (option of back support by GPRS)
• Communication Bands	B1/B2/B3/B4/B5/B8/B12/B13/B18/B19/B20/B26/B28 and B39
• Data Rates:	Cat-M1: 375Kbps (DL)/375Kbps (UL) NB-IoT: 32Kbps (DL)/70Kbps (UL)
• TX Power:	23dBm
• Min Receiver Sensitivity:	Cat-M1: -107dBm NB-IoT: -113dBm
• Antenna:	Internal (Default)/ External (customised options available)
• Optional Features:	<ul style="list-style-type: none"> <li>• Attach without PDN (Packet Data Network)</li> <li>• Support for IPV6</li> <li>• SMS communication</li> <li>• Mobility support (Cat-M1 only)</li> </ul>

## NETWORK CONNECTION AND VISUALISATION

### Network Integration

Pre-configured or configurable to all main narrow band networks (3, A1, AT&T, China Mobile, DU, Etisalat, KPN, M1 Singapore, Optus, Orange, Proximus, Spark, Sprint, Swisscom, Telefonica, Telstra, T-Mobile, Verizon, Vodafone, 1NCE, Emnify and any other network)

### Visualisation and Data Management

Ellenex white label microservice platform and Integratable to all main IIoT platforms directly or through the API(AWS, Azure, PTC ThingWorx, Bosch IoT, Cisco Jasper & Kinetic, Sierra Numerex, MathWorks ThingSpeak, GE Digital Predix, LandisGyr, Siemens MindSphere, Cumulocity, myDevices, Ubidots, TagoIO, AllThingsTalk Maker, HPE IoT and any other major IoT platform).

### Ellenex Platform Main Features

- Encrypted ultra-low power communication protocol
- Advanced device inventory
- Integration APIs for enterprise systems
- Multi-tenant role-based access control
- Data export and import
- White-label platform for enterprise runs on private account
- Variable alarm setting for high and low thresholds and multi-channel alerting
- Sampling and transmission interval configuration
- Transmission condition configuration
- Other configurations and customisation available on request



Encrypted & ultra-low power



Integratable



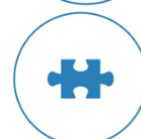
Dynamic alerting



Multi-tenant



Scalable


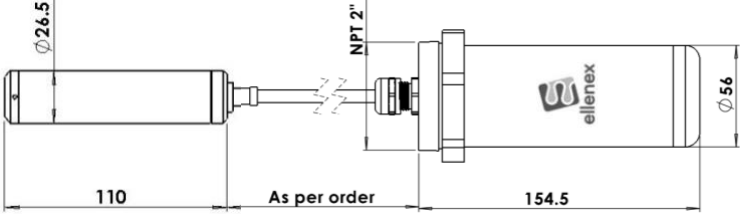

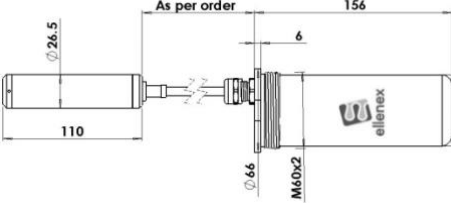
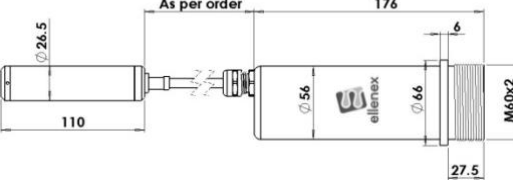


Composable & API first

# PLS3-N Spec-sheet



## MODEL GUIDE

Model	Options:	
<p>Standard Model:</p> 	 <p>IP66 sensor head, connected to IP68 POM enclosure with on/off switch</p>	
<p>Customised Models</p> 	 <p>PLS3 with bottom mounting screw</p>	 <p>PLS3 with top mounting screw</p>

## INDUSTRIES



Water & Wastewater



Agriculture & Farming



Oil & Gas



Marine & Oceanography



Mining & Construction



Transport & Logistics

## APPLICATIONS

- Bore Hole Level
- Liquid Tanks
- Liquid Delivery Systems
- Wastewater Tank
- Flood Monitoring
- Water Resources Level

## ORDERING CODE

PLS3-N							
<b>Communication Type</b>							
B: NB-IoT				C: Cat-M1			
<b>Measurement Range</b>							
1, 3, 10, 20, 50, 100, 200m H <sub>2</sub> O (or any other non-standard range)							
<b>Cable Material</b>							
U: Polyurethane (suitable for water, oil and Diesel)				Others			
<b>Cable Length</b>							
S: approximately same as measurement range				Others			
<b>Device Activation</b>							
X: No switch (always on)				Others			
<b>Antenna</b>							
I: Internal				E: External			
<b>Options</b>							
(On request) <sup>1</sup>							
PLS3-N	B	10m	U	S	X	I	

### Sample Product Code:

- PLS3-N-B-10m-U-S-X-I

IP68 Level sensor operated on NB-IoT, measurement range of 10m H<sub>2</sub>O, with stainless steel sensor head and Polyurethane cable, standard cable length, enclosure with bottom mounting thread, activated in the factory and equipped with internal antenna.